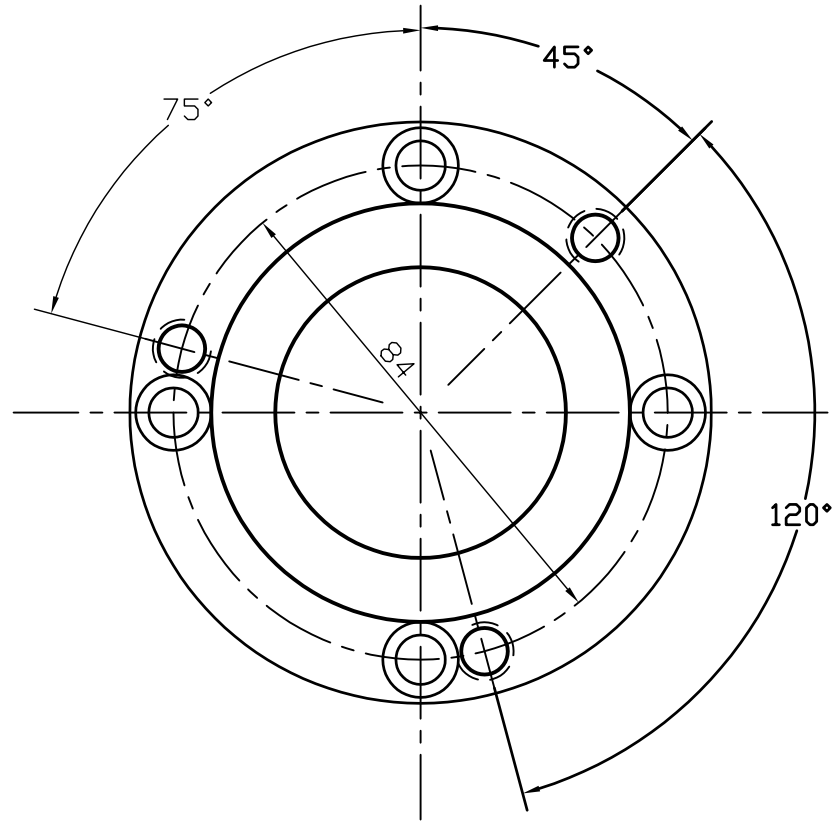
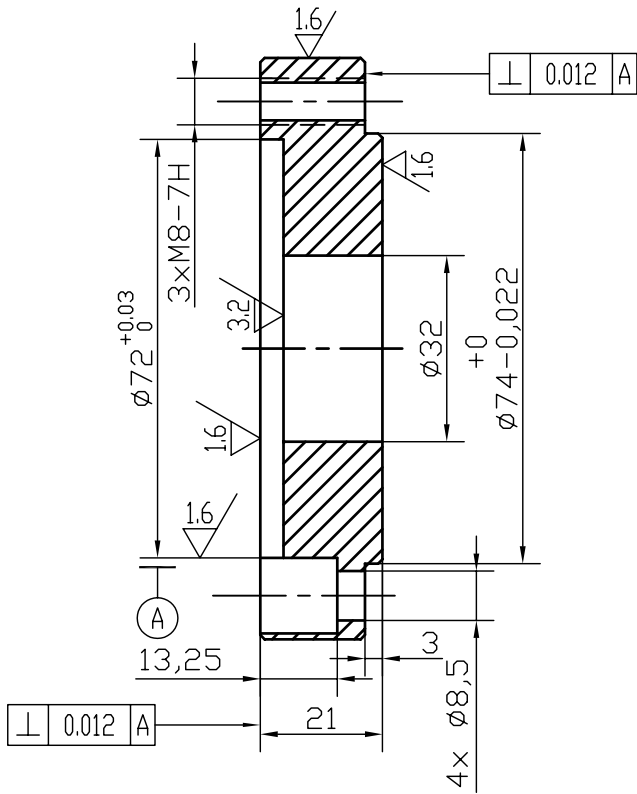


6.3



				Designed by	Verif. by	Approval date	Filename	Date	
								10/04/2003	
				OPTIMUM <small>MASCHINEN - GERMANY</small> Dr.-Robert-Pfleger-Str. 26 D-96103 Hallstadt			jaw chuck flange 100mm		
							3440312	Edition	Sheet
Ind.	Modification	Day	Name					1	1 of 1